



Main Features:-

- ◆ Union 3 Pieces
- ◆ Made of AISI 316, Sealing with PTFE Gasket
- ◆ BSP (80426—NPT)
- ◆ Working Temperature -25 to + 180C *
- ◆ Max. Working pressure 20 Bar

*Temperature and pressure determined by valve body, seat etc.

Suitable Applications & Approvals:



HVAC



OIL



GAS



INDUSTRY

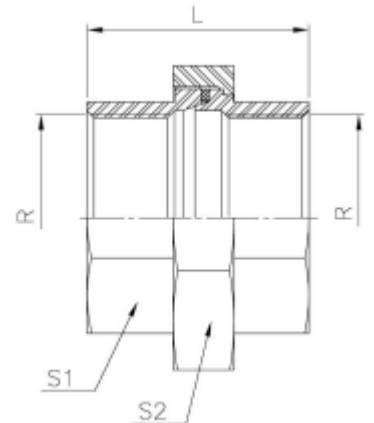


SERIES: 80425

MANUFACTURER: **GENEBRE**

VALVE MATERIALS & DIMENSIONS

Ref	SIZE (R)	L	S
80425-02	1/4"	17	29
80425-03	3/8"	20	34
80425-04	1/2"	25	39
80425-05	3/4"	30	47
80425-06	1"	38	58
80425-07	1 1/4"	47	67
80425-08	1 1/2"	53	76
80425-09	2"	66	90
80425-10	2 1/2"	82	109
80425-11	3"	96	123



ALLVALVES

Offering a full range of actuated valve packages, manual valve range, pipe fittings and pumps, we have a product for all your requirements. As an ISO 9001-2015 Quality Approved and certified company, All Valves offer a quality service from pre-sale to post sale. Shipping millions of pounds in value of manual valve and actuated valve packages all over the world since its formation, All Valves are a trusted valve and actuator supplier to many companies all over the world. Working with the leading brands in most industries.



T +44 (0)1386 552369

E sales@allvalves.co.uk

W www.allvalves.co.uk

F +44 (0)1386 554227